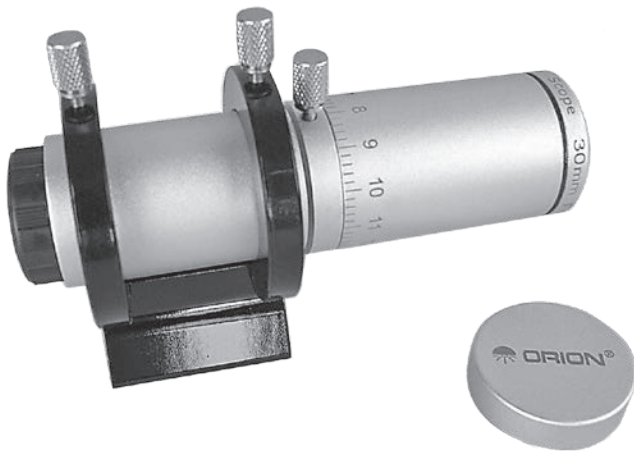


# Orion® 30mm Ultra-Mini Guide Scope

## #52053



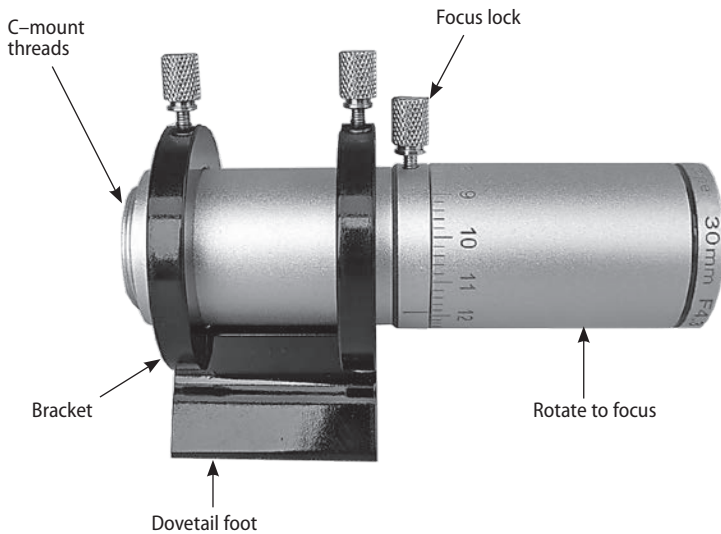
**Figure 1.** The 30mm Ultra-Mini Guide Scope and dual-ring bracket

### Included Items

- 30mm Ultra-Mini guide scope
- Dual-ring mounting bracket
- 5mm CS/C extension ring
- Aluminum objective cap
- Plastic camera-end cap

Your Ultra-Mini Guidescope (**Figure 1**) is designed for use with the Orion StarShoot AutoGuider Pro Mono and StarShoot All-in-One cameras, or similar eyepiece-sized cameras with female C or CS mount threads (cameras sold separately). The guide scope is ideal for astrophotographic guiding with short focal length instruments.

The dual-ring bracket has a dovetail foot (**see Figure 2**) that is compatible with Orion dovetail finder scope mounting shoes, as well as those of many other telescope brands. Insert the guide scope into the rings from the back (threaded) end and secure it with the two thumbscrews. Then insert the bracket foot into the compatible finder scope mounting shoe on your telescope or mounting plate.



**Figure 2.** Parts of the 30mm Ultra-Mini Guide Scope

### Attaching your AutoGuider Camera

To attach a camera equipped with C-mount threads, such as the Orion StarShoot AutoGuider Pro and StarShoot All-in-One, just thread the camera onto the C-mount threads of the guide scope until it's firmly attached, as in **Figure 3**. You do not need to install the included 5mm (length) extension ring when using a C-mount camera.

If your camera has a CS mount, (check your camera's user manual for the mount specification), then you will need to use the 5mm extension ring (**Figure 4**) to achieve focus through the 30mm guide scope. Thread the extension ring onto the guide scope until tight, then thread your camera onto the extension ring until tight.

The underside of the bracket foot has a single 1/4"-20 threaded hole to allow direct attachment of the bracket to a universal dovetail plate. For this you will need a 1/4"-20 screw of the appropriate length to pass through your universal plate and into the bracket foot.

### Focusing

To focus the image displayed on your computer by the camera, rotate the front of the guide scope's housing (**Figure 2**), making sure to loosen the focus lock thumb screw first. Once the desired focus sharpness is achieved, gently retighten the thumbscrew to lock the focus.



**Figure 3.** The 30mm Ultra-Mini Guide Scope shown with the StarShoot AutoGuider Pro Monochrome camera attached.



**Figure 4.** The CS/C Extension Ring is needed to couple CS-mount cameras to the 30mm Ultra-Mini Guide Scope, in order to achieve proper focus.

## **SPECIFICATIONS**

Aperture:	30mm
Focal length:	130mm
Focal ratio:	4.3
Camera interface:	C mount (male)
Focuser:	Helical; front housing rotates
Bracket:	Dual ring, with dovetail foot, aluminum
Length:	4-7/16" (113mm)
Weight (guide scope and bracket):	7.5 oz. (213g)

## **One-Year Limited Warranty**

This Orion product is warranted against defects in materials or workmanship for a period of one year from the date of purchase. This warranty is for the benefit of the original retail purchaser only. During this warranty period Orion Telescopes & Binoculars will repair or replace, at Orion's option, any warranted instrument that proves to be defective, provided it is returned postage paid. Proof of purchase (such as a copy of the original receipt) is required. This warranty is only valid in the country of purchase.

This warranty does not apply if, in Orion's judgment, the instrument has been abused, mishandled, or modified, nor does it apply to normal wear and tear. This warranty gives you specific legal rights. It is not intended to remove or restrict your other legal rights under applicable local consumer law; your state or national statutory consumer rights governing the sale of consumer goods remain fully applicable.

For further warranty information, please visit [www.OrionTelescopes.com/warranty](http://www.OrionTelescopes.com/warranty).

## **Orion Telescopes & Binoculars**

Corporate Offices: 89 Hangar Way, Watsonville CA 95076 - USA

Customer Support: [www.OrionTelescopes.com/contactus](http://www.OrionTelescopes.com/contactus)

Copyright © 2016 Orion Telescopes & Binoculars

All Rights Reserved. No part of this product instruction or any of its contents may be reproduced, copied, modified or adapted, without the prior written consent of Orion Telescopes & Binoculars.