

Operating instructions

omegon

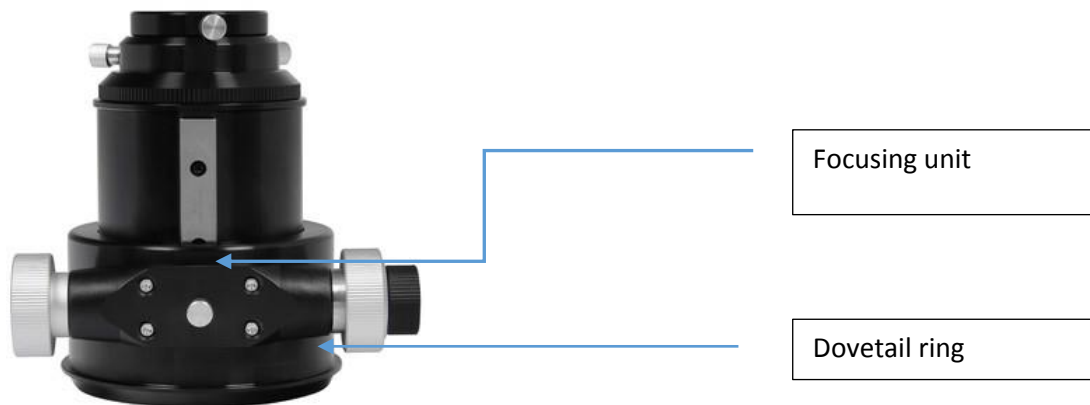


Omegon Pro 3" dual speed Newton Crayford Focuser

English Version 8.2019 Rev A

Congratulations on the purchase of your Omegon Pro 3" dual speed Newton Crayford focuser. In order to be able to use your focuser you must mount it onto your telescope tube. To do this please follow these steps:

- 1) Lay the tube horizontally on a protective surface and ensure it cannot fall or roll away.
- 2) You will see four radial grub screws on the plate to which you attach the focuser. Make sure that these screws do not protrude beyond the heel of the mounting plate. Ensure that you have the correct Allen key for these screws to hand.
- 3) Remove the knurled screw which locks the focuser, this is found on the upper side of the focuser.
- 4) Remove the focuser unit with the two focus knobs from the underside of the focuser by loosening the four screws:



- 5) Push the body of the focuser into the tube through the opening in the mounting plate, until the upper end of the dovetail ring sits level with the mounting plate.
- 6) Fasten the focuser by screwing the radial screws into the mounting plate.
- 7) Reattach the focusing unit with the knurled screws. Adjust the focusing unit such that the focuser moves smoothly and precisely.
- 8) Finished.