

Warranty Card

User Link

Name _____ Contact _____

Address _____

Model _____

Purchase date _____

- Please fill in this warranty card immediately when purchasing our company's products and keep it properly .
- If you have any questions ,please contact the sales office

Warranty Card

Stub

Name _____ Contact _____

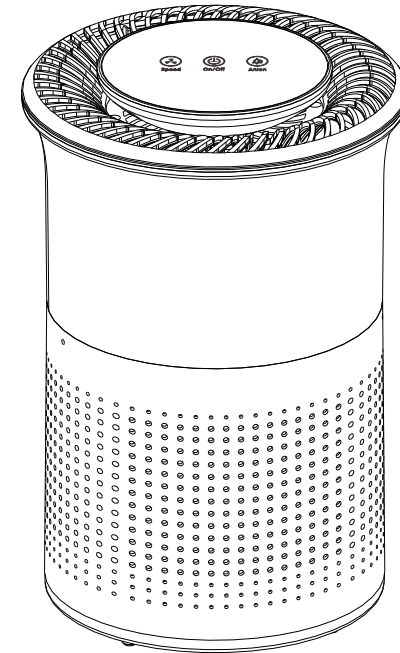
Address _____

Model _____

Purchase date _____

- Please fill in this warranty card immediately when purchasing our products ,so as to file for the record .

Air Purifier Specification

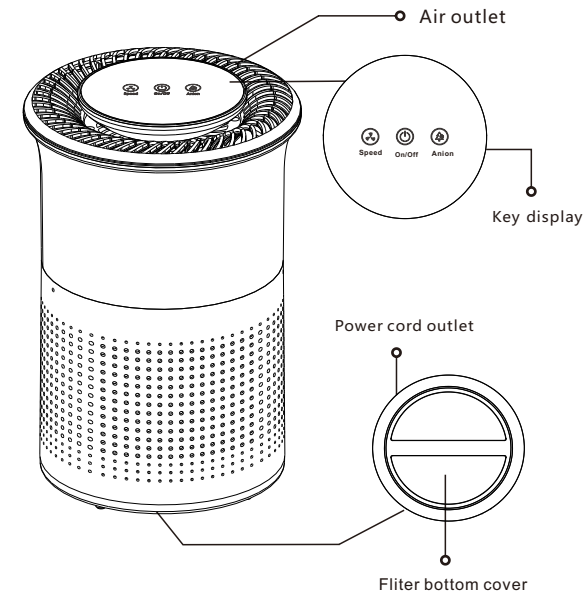


Thank you for choosing this product.
Please read this specification carefully before using the product.
Please keep this specification for future reference.

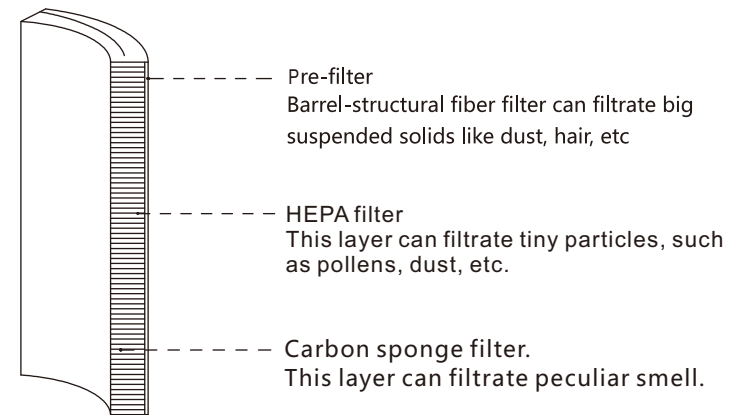
Content

Product introduction	1
Filter introduction	2
Installation	3
Utilization	4-6
Basic parameters	7
Troubleshooting	7
Notes	8

Product introduction

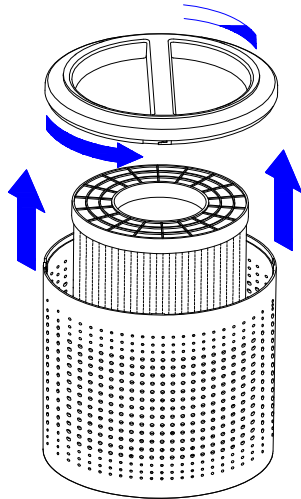


Filter introduction



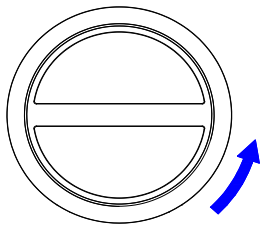
Cross section of filter

Utilization

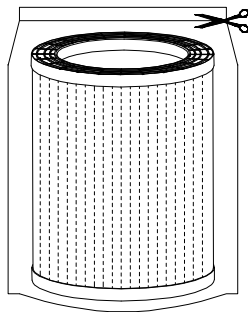


Bottom of the product

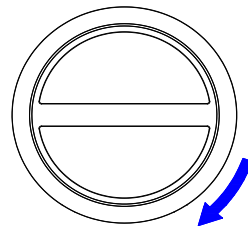
1.Filter installation



Open the cover on the bottom and take out the filter



Remove the package of the filter



Put back the filter and close the cover

Note: Please do well close the cover

Maintain

Filter replacement

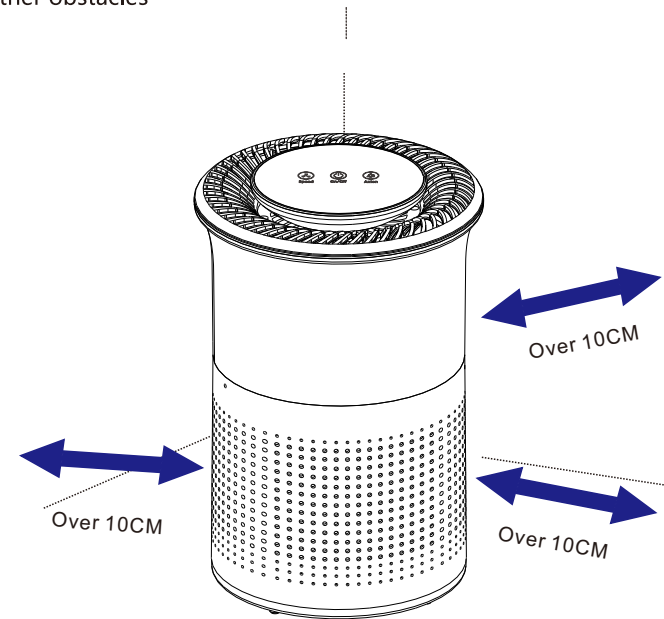
The filter replacement cycle is 10 months ,it is recommended to replace it regularly.

- 1 Buy filter.
- 2 Install filter .See installation step 2 for details.

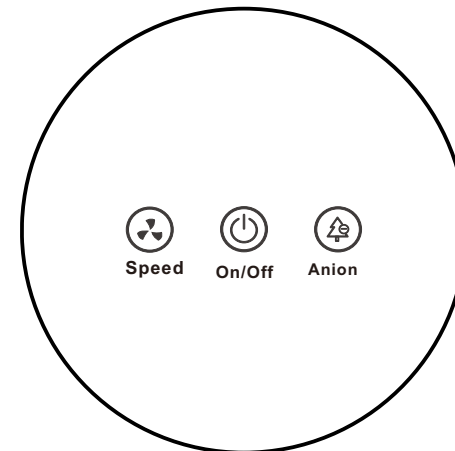
Utilization

Put this product at a suitable place

For better performance, please keep this product a certain distance (over 10cm)from wall or other obstacles



Control panel illustration and operation description



Utilization



1.Connecting to the power supply

Please connect this machine to power supply, Please make sure the plug is well connected to the power supply.

Note: do not unplug the plug with wet hands to avoid electric shock. Unplug the machine before moving the machine.



On/Off

2.On/Off

Press the on/off button, then the appliance starts working. The screen lights up and presents operational mode. Press again the on/off button, then the appliance stops working.



Anion

3.Anion

Press the anion button, The anion generator will start working. Anion indicator will be on.

4.Speed

Air speed is in auto speed mode by default upon starting. Press this button to choose air speeds, which comprise low speed, middle speed, high speed and auto speed.



Speed

5.Auto mode

Auto mode is the default mode. The machine will work automatically. After manually adjusting the wind speed, you can press the wind speed key for 3 seconds to enter the automatic mode.

6.Sleep

In sleep mode, the machine works with very little noise, the screen becomes dark.

Note: the icons above are all schematic icons, please make reference to the description to see specific function.

TVOC Air quality index

Indicator color	Sky blue	Sea blue	Fuchsia	Red
Quality level	Well	Good	Medium	Poor

Basic parameters

Product name	Air purifier
	JH-1801
Rated voltage/frequency	100-240V~ 50 / 60Hz
Rated power	30W
CADR	120 m ³ /h
Noise	≤55dB
Dimension	H 326 × φ 207mm ²
Weight	About 1.8kg

Trouble shooting

Trouble	Possible solutions
The appliance doesn't work	Please ensure good connection to the power supply
The appliance works with lots of noise.	Please check if the filter has been installed Please check if the package of the filter has been removed
The appliance doesn't work with good effect	Please check if the filter has been installed Please check if the package of the filter has been removed Please check if the filter has been well installed

Warranty rules

- In one year after purchasing date, customer will get free after-sale service if the maintenance staff consider the malfunction that occurs is due to fabrication or element failure under normal utilization.
- This free after-sale service does not include components that are consumable(such as filter, pre-filter, remote controller ect), auxiliary device, transportation expenses or door-to-door expenses.
- Please well keep the warranty card.
- Please take the warranty card and invoice along while applying for maintenance.

Customer will not get free after-sale service in the following conditions:

1. All the artificial damage such as access not appropriate power, using inappropriate accessories, deprived of manual use, transportation and other accident causing damage, the maintenance and modification not recognized by us etc.
2. Damage caused by utilization exceeds normal home use (such as industrial and commercial use)
3. Aging and wear that appears during normal use but does affect normal use.

Notes

Transportation • On transportation, please turn off the appliance and unplug the power line

Installation • Keep the appliance at least 20cm from wall or other obstacles

Power line notes

- Do not over-twist the power line and use right AC socket
- Do not use the power line for other purpose
- Do unplug the power line from the socket while doing maintenance work or moving the appliance

During utilization

- Turn off the appliance immediately if there occurs abnormal noise, smell, high temperature
- Do not put anything in any part of the appliance
- Do not block air inlet or outlet
- Do not sit or lean on the appliance
- The appliance has no effect for CO

Utilization restrictions

Do not use the appliance in the following cases, otherwise electric shot, fire or other damage may occur.

- In a place of which the ground is not flat
- In bathroom or other places with high temperature or high humidity
